

Energetech Australia OWC Demonstration Project

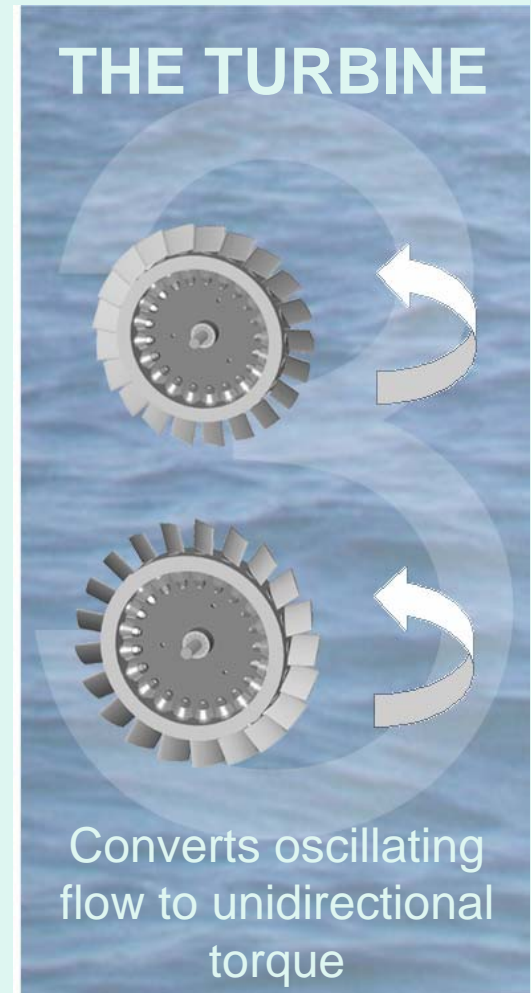
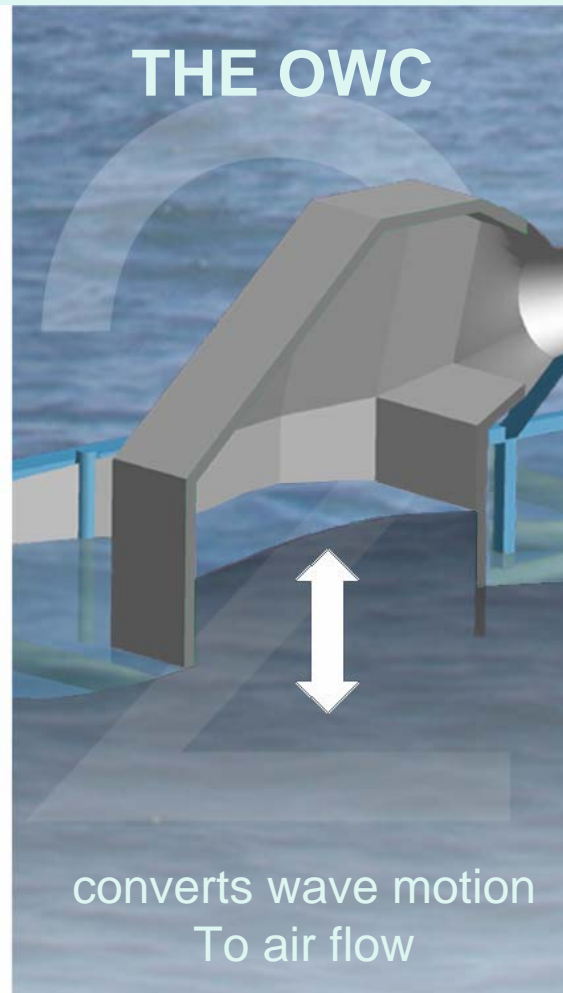
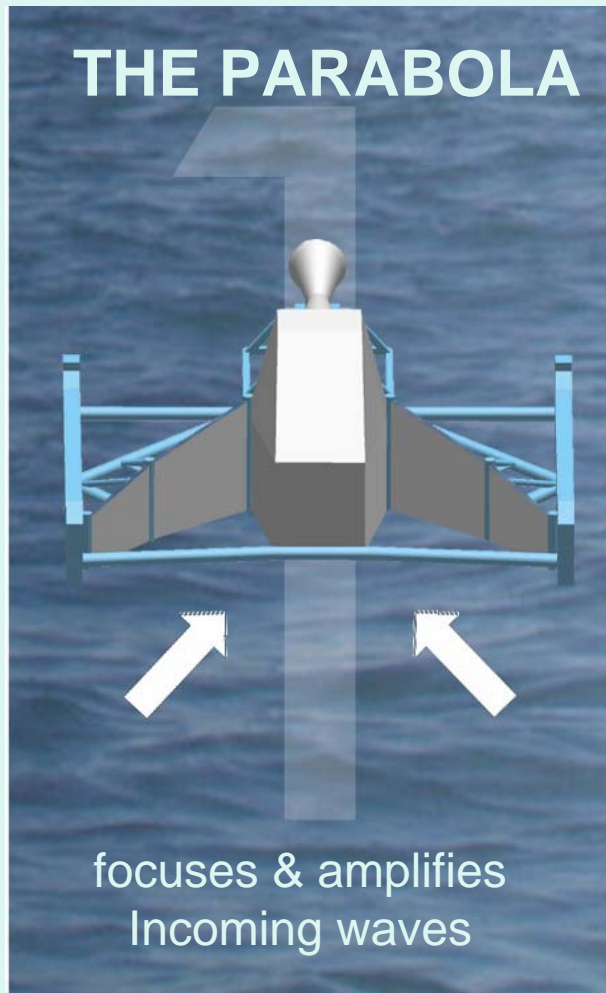
((energetech))

innovative

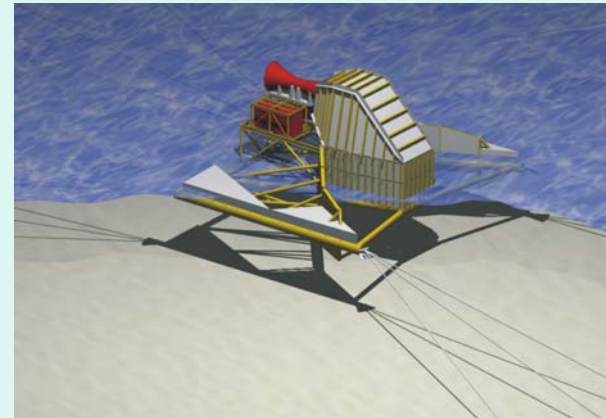
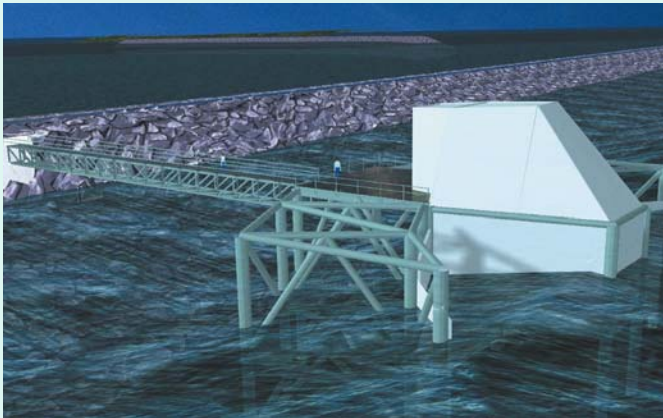
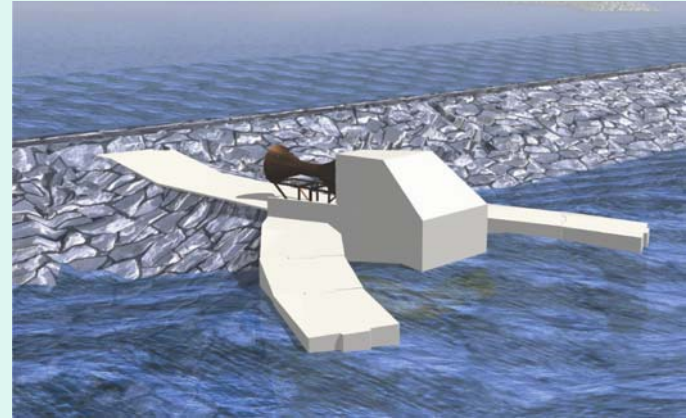
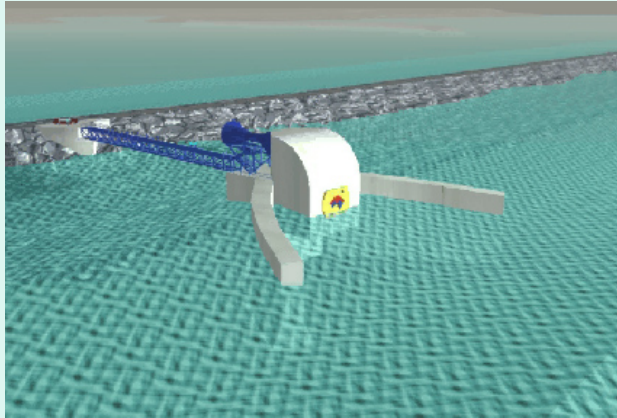
energy

Energetech Australia Pty. Ltd.
www.energetech.com.au

Principle of Power Conversion



Various Forms of OWC



Wavegen: UK Cliff Face OWC



- 500 kW
- Installed 2000
- Islay, Scotland
- Concrete structure
- Wells turbine
- Working reliably



Energetech: Near Shore OWC



((energetech))

innovative

energy

Energetech Australia Pty. Ltd.
www.energetech.com.au

Extended Testing Phase

- device attached to moorings briefly in June 2005
- successfully decoupled and floated back to shore
- data collected verified high air speeds past turbine
- will be floated out again and stabilized by tugs to test
- by end of year will be re-moored and tested for 3 months
- will produce power to the grid when re-moored
- project design has commenced for Portland, Victoria

Green Wave Rhode Island

- will utilize the Energetech OWC system and turbine
- located in Rhode Island near Narragansett
- currently in planning and design phase
- University of Rhode Island conducting additional research
- a rigorous multi-agency permitting process underway
- environmental field work in progress
- maximum power is expected to be 500kW, with an annual average of 150kW or 1.3 million kW Hours per year

→ Expected Project Commissioning in early 2007